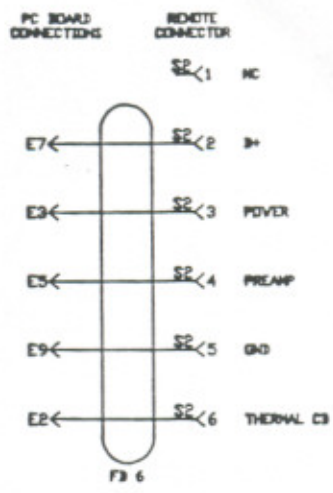
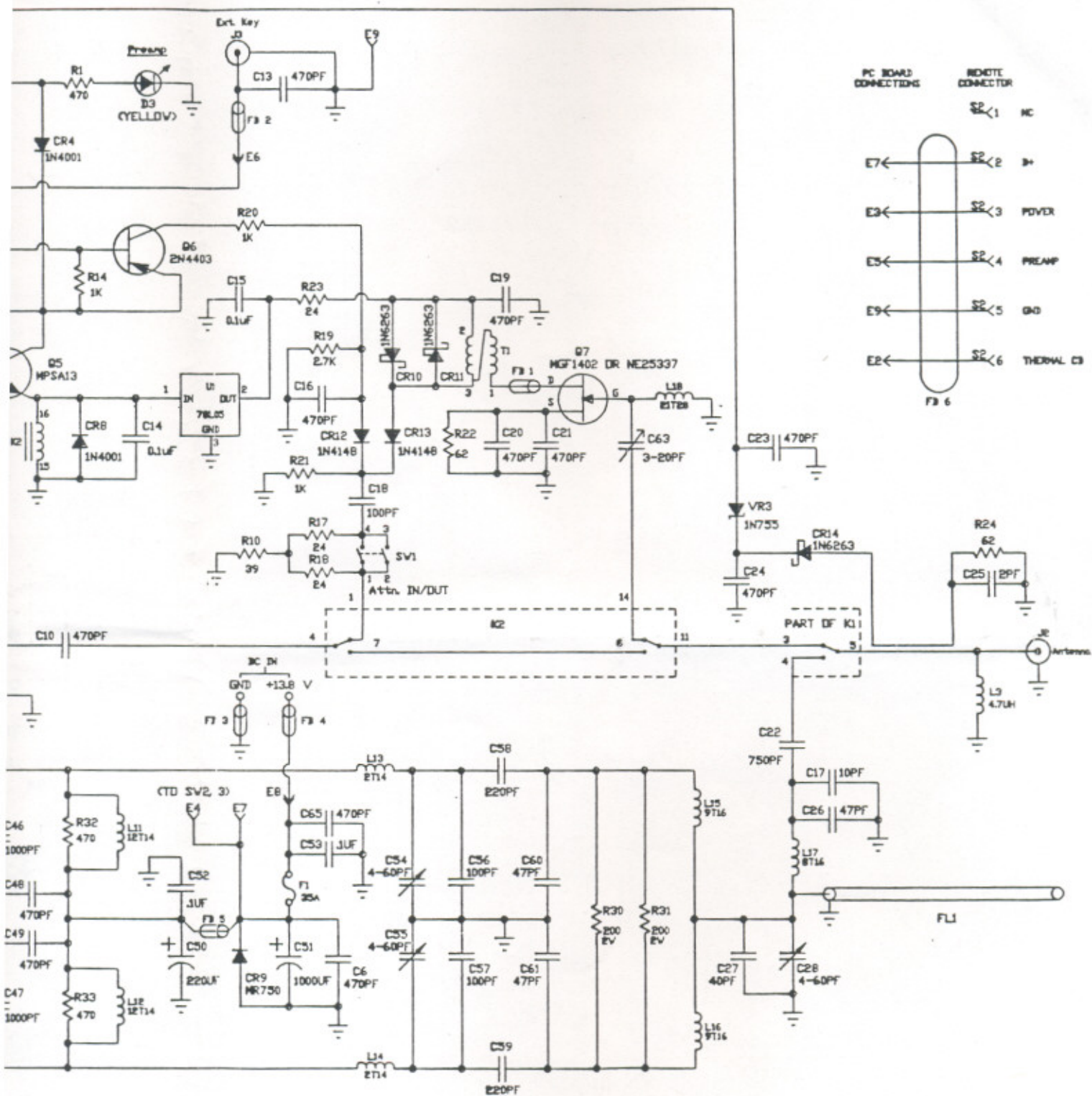


NOTE: ■ Factory Select
 1) S2 is the 6 pin REMOTE connector



MIRAGE/KLM
A1015G